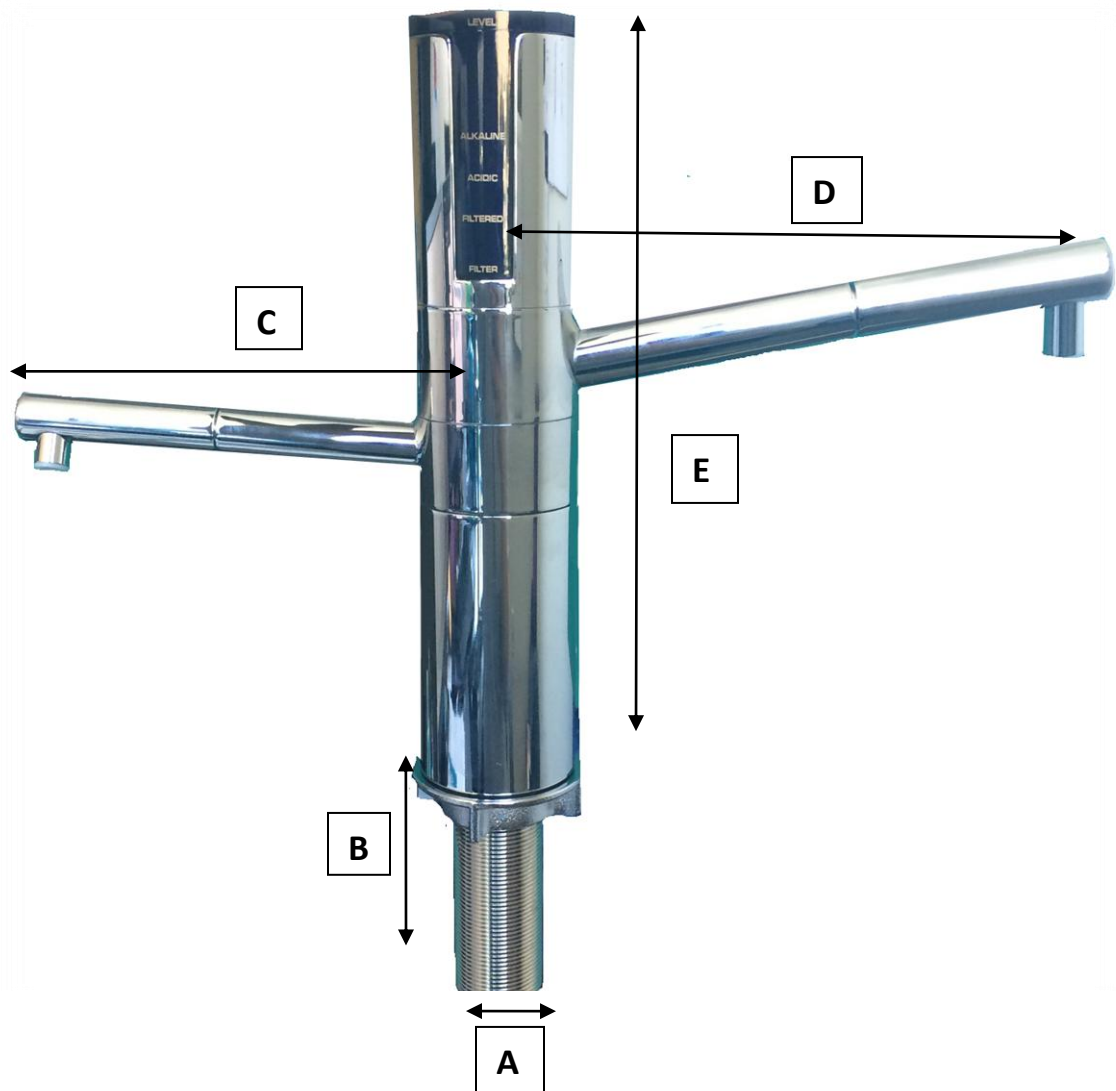


New and Improved Ultra Delphi

Faucet Dimensions



Size for Hole to be Drilled	1 1/2 "
A – Threaded Shaft Diameter	1 3/16 "
B – From Flange to Bottom Threaded Shaft	3 1/8"
C - From Center to Tip End of Bottom Spout	5 3/4 "
D - From Center to Tip End of Top Spout	7 "
E - From Top to Flange	8 7/8"